

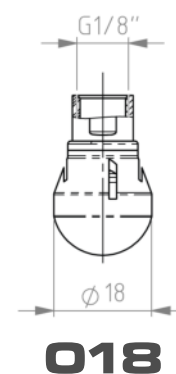
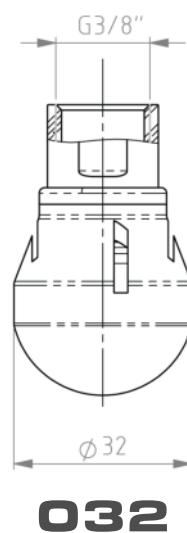
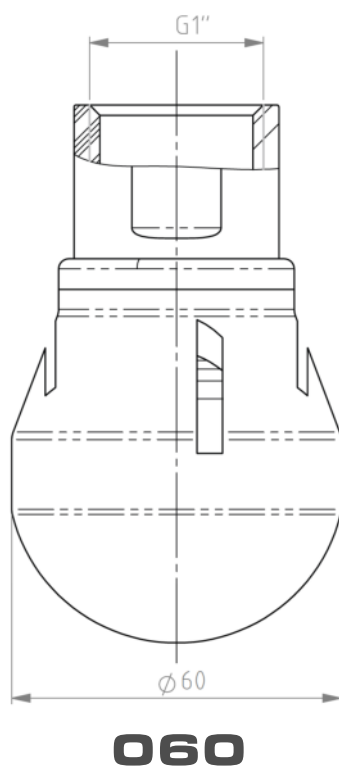
SWR-018...060

Surge cleaner hydrodynamic bearing



product data

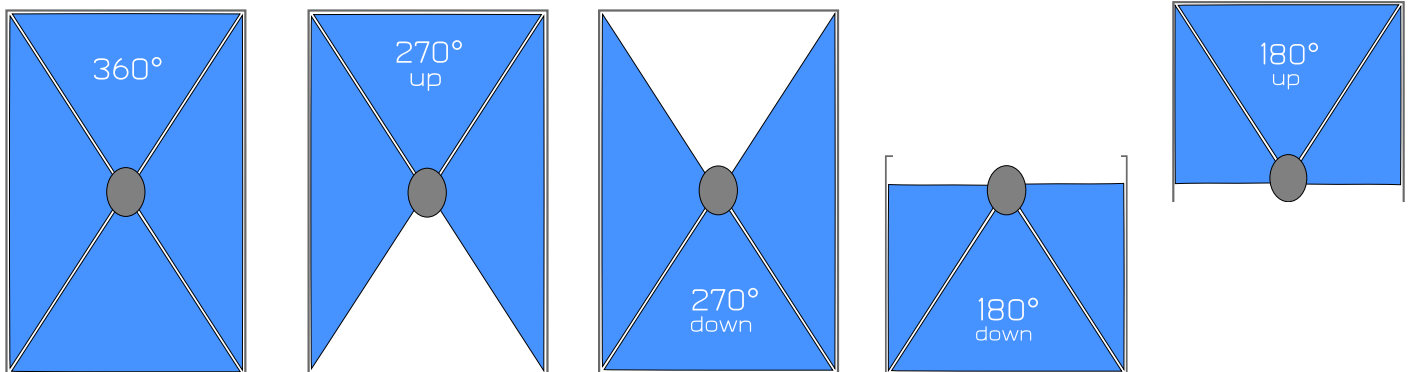
- pressure range 14,5 - 97 psi / 1-6 bar (SWR-060 up to 130,5psi / 9 bar)
- spray patterns 360°/270°/180°
- Hygienic Design (Ra < 0,4µm)
- operating temperature 41-194°F / 5 - 90 °C
- ambient temperature up to 212°F / 100 °C (482°F / 250°C on request)
- freely selectable installation angle
- high durability and maintenance-free
- steam sterilizable
- FDA-compliant
- ATEX on request



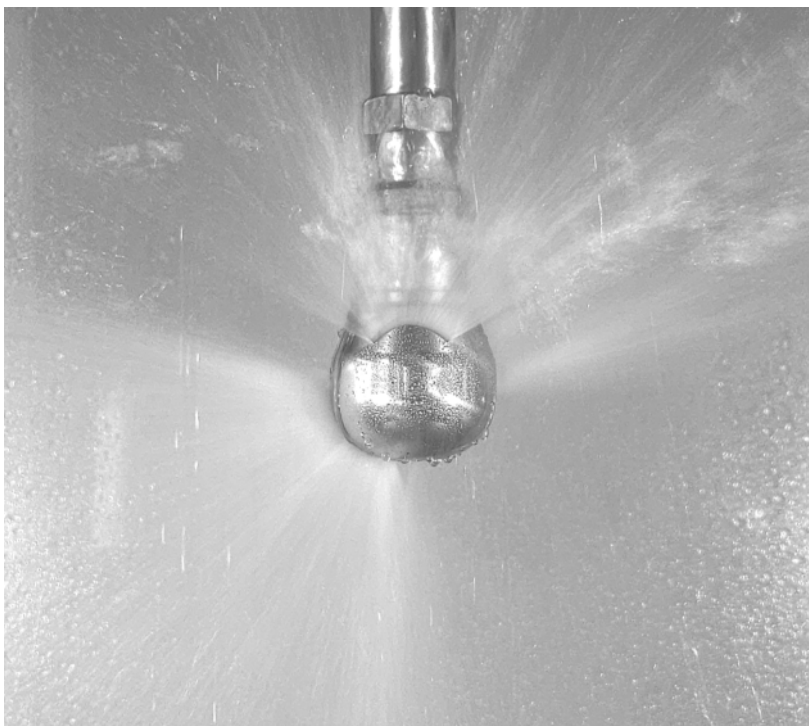
SWR-018...060

Surge cleaner hydrodynamic bearing

spray pattern



spray pattern: 360° / 270° / 180°



Hohe Tanne GmbH
Hohe Tanne 7
DE-98701 Großbreitenbach
Phone *49(0)36781/ 2410-0
Fax *49(0)36781/ 2410-10
info@hohe-tanne.tech