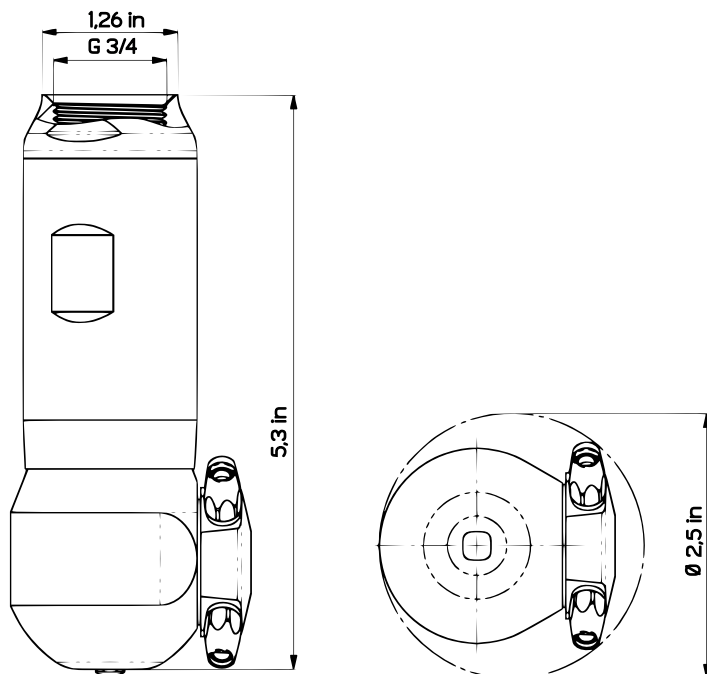


Orbital cleaner fluid driven

*compact &
robust*

product data

- pressure range 29 - 217 psi (2 - 15 bar)
- 360° orbital spray pattern
- hygienic design (Ra < 0,4µm)
- nozzles 4x Ø 0,1/ 0,12/ 0,16 in (2,5/ 3/ 4 mm)
- operating temperature 41 - 194 °F (5 - 90 °C)
- spray distance up to 315 in (8 m)
- rotations 1 - 20 rpm
- freely selectable installation angle
- high durability and maintenance-free
- steam sterilizable
- FDA-compliant

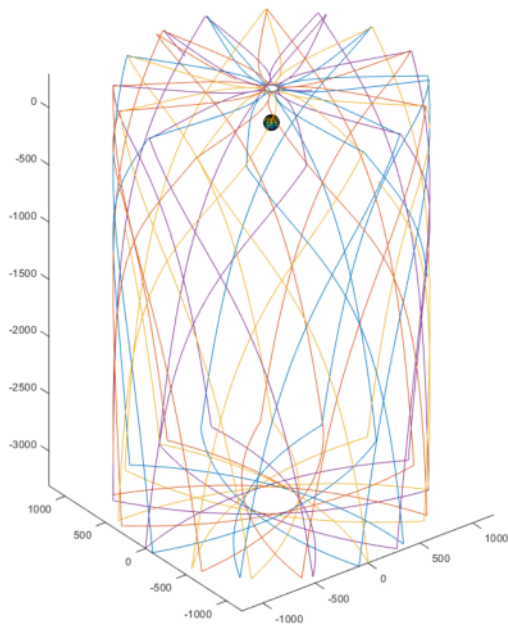


dimensions

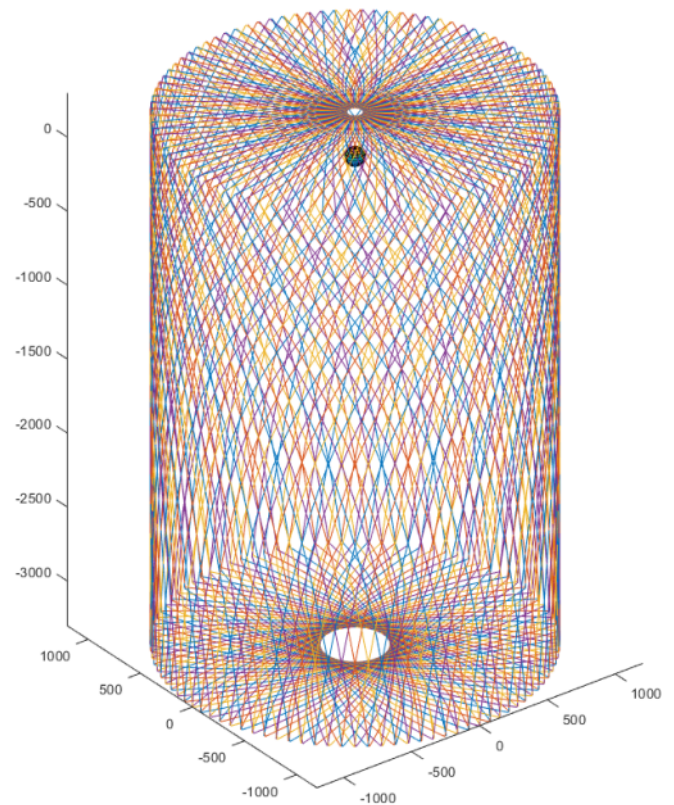


Orbital cleaner fluid driven

spray pattern with four nozzles



20% total cycle



100 % total cycle



Hohe Tanne GmbH
Hohe Tanne 7
DE-98701 Großbreitenbach
Phone *49(0)36781/ 2410-0
Fax *49(0)36781/ 2410-10
info@hohe-tanne.tech