

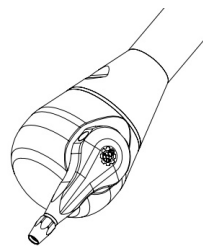
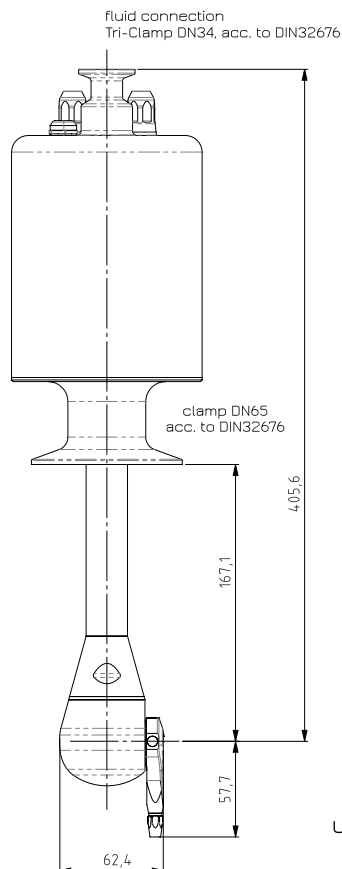
AJC- tank cleaning robot Miniature

product data

- pressure range 0 - 16 bar (0 - 232 psi)
- 360° tank cleaning
- Hygienic Design (Ra < 0,4µm)
- nozzle diameters Ø 2/ 2,5 / 3 / 4 mm
- operating temperature 5 - 90 °C (41 - 194 °F)
- throwing distance up to 10 m (33 ft)
- rotations 0,5 - 11 rpm
- freely selectable installation angle
- steam sterilizable
- FDA-complaint

Weight only 3.5 kg

dimensions

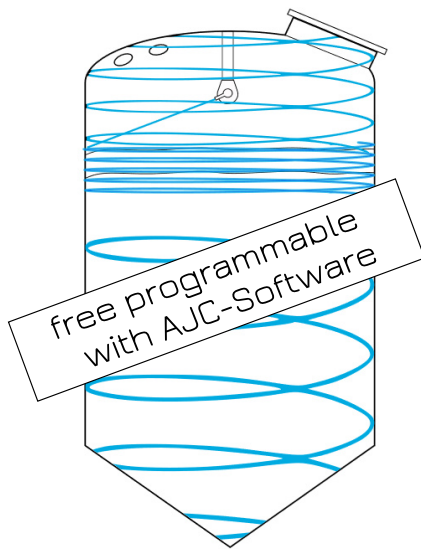


AJC-003
single



AJC- tank cleaning robot Miniature

spray pattern



example of a cleaning program

predefined paths

helix-pattern



spiral-pattern



rectangular-pattern



single or three-nozzle

Hohe Tanne GmbH
Hohe Tanne 7
DE-98701 Großbreitenbach
Phone *49(0)36781/ 2410-0
Fax *49(0)36781/ 2410-10
info@hohe-tanne.tech