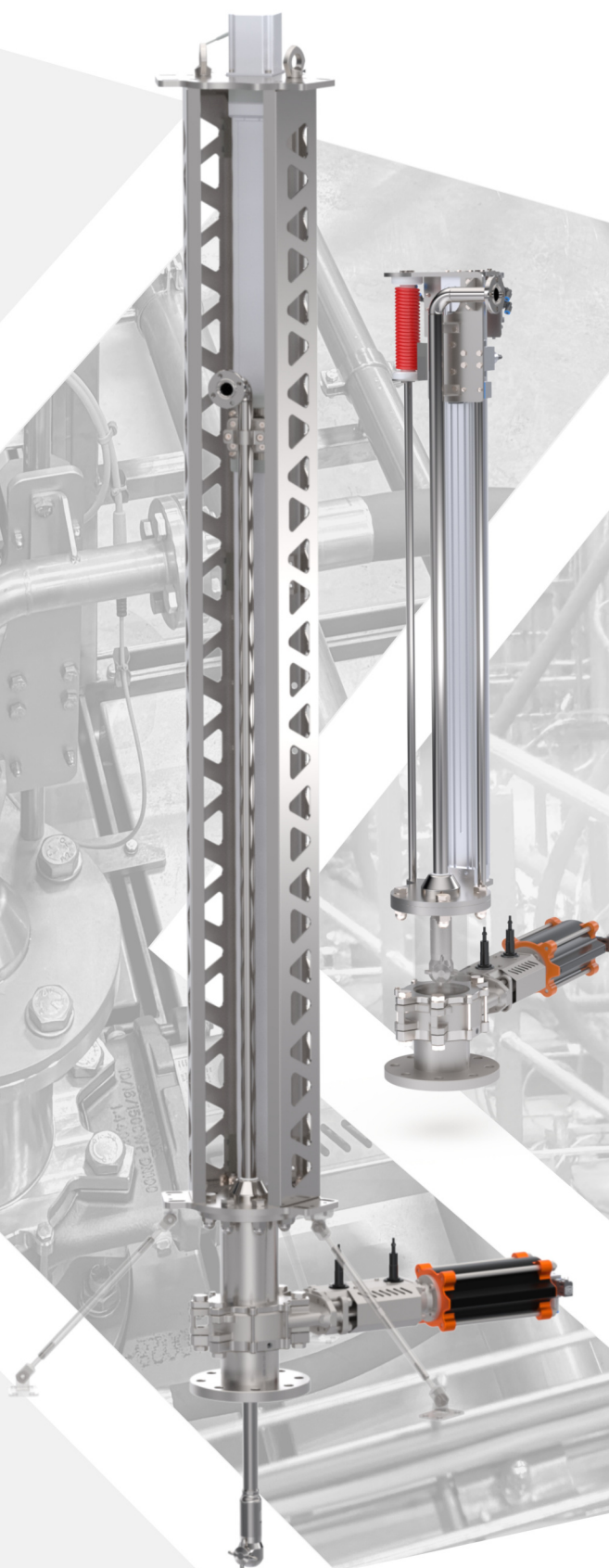
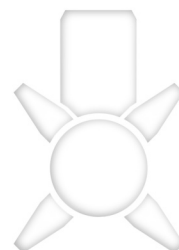


HUB-SERIES

Traversing units for cleaning devices



NEW
with integrated
hygiene sluice



TRAVERSING UNIT

In - Out - Clean

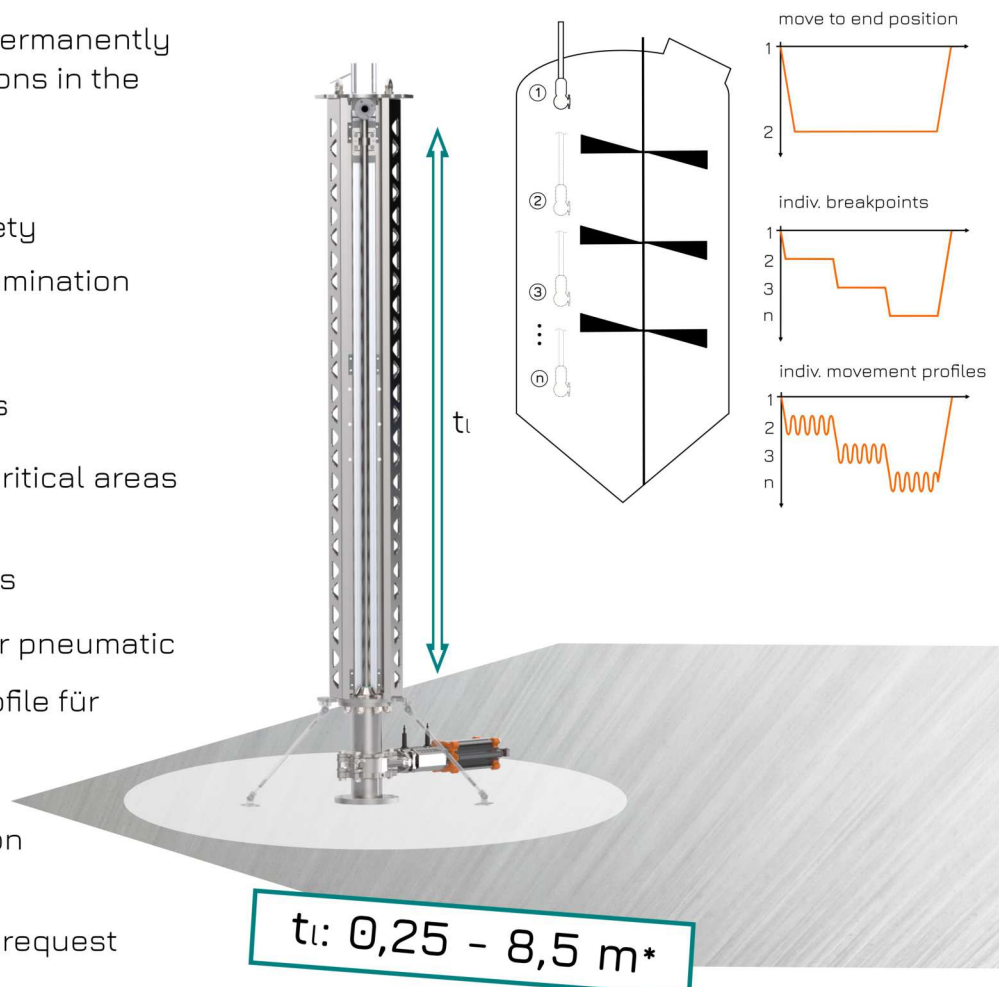
No permanent presence of the cleaning device in the product area

The traversing units of the HUB series enable cleaning devices to be moved fully automatically into the environment to be cleaned, usually a tank or container, and to move them out of the production area again after successful cleaning. The motion profile can be specially adapted to any application. From the simple "in - out" to different breakpoints to completely individual movement profiles, the lifting unit can actively shape the cleaning process.

advantages and features:

- the cleaning device is not permanently exposed to process conditions in the production area
 - ➔ less wear/
higher operational safety
 - ➔ fewer sources of contamination
- Hygienic Design for use in hygienically sensitive areas
- more effective cleaning of critical areas in the lower tank area
- avoidance of spray shadows
- movement types: electric or pneumatic
- anpassbare Bewegungsprofile für jeden Anwendungsfall
- customizable motion profiles for every application
- use in hazardous areas on request

examples of adaptive motion profiles



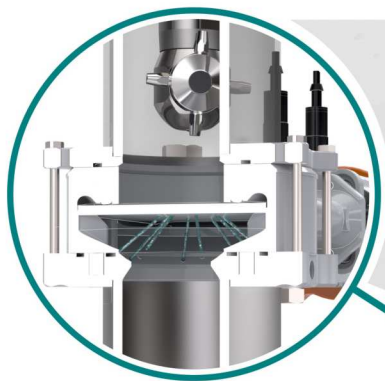
*traversing length (t_i), dimensions and connections on customer request

HYGIENE SLUICE

Ring nozzle for inline cleaning of valves

Higher product safety
Longer service life

Hygiene sluices not only ensure the hermetic separation of the cleaning device and the production environment. They are also a basic prerequisite for an automated cleaning process.



- ➔ cleaning the product side of the valve before opening through integrated ring nozzle
- ➔ increased service life of the valves
- ➔ hygiene risks are significantly reduced
- ➔ no disturbing fixtures extending far into the interior

programmable



or



rotating

or



static

- easy installation:
direct connection via
flange or
ceiling-floor mounting
- available in almost
all common flange sizes,
special shapes on request

ceiling
installation

- ➔ application of any nozzle technology

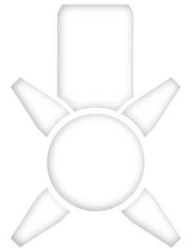
Reactor vessel

Coater

Spiral conveyor

HUB-SERIES

Traversing units for cleaning devices



Let's tackle it together!

Hohe Tanne GmbH
Hohe Tanne 7
DE-98701 Großbreitenbach
Phone *49(0)36781/ 2410-0
Fax *49(0)36781/ 2410-10
info@hohe-tanne.tech



create ■ visions ■ together